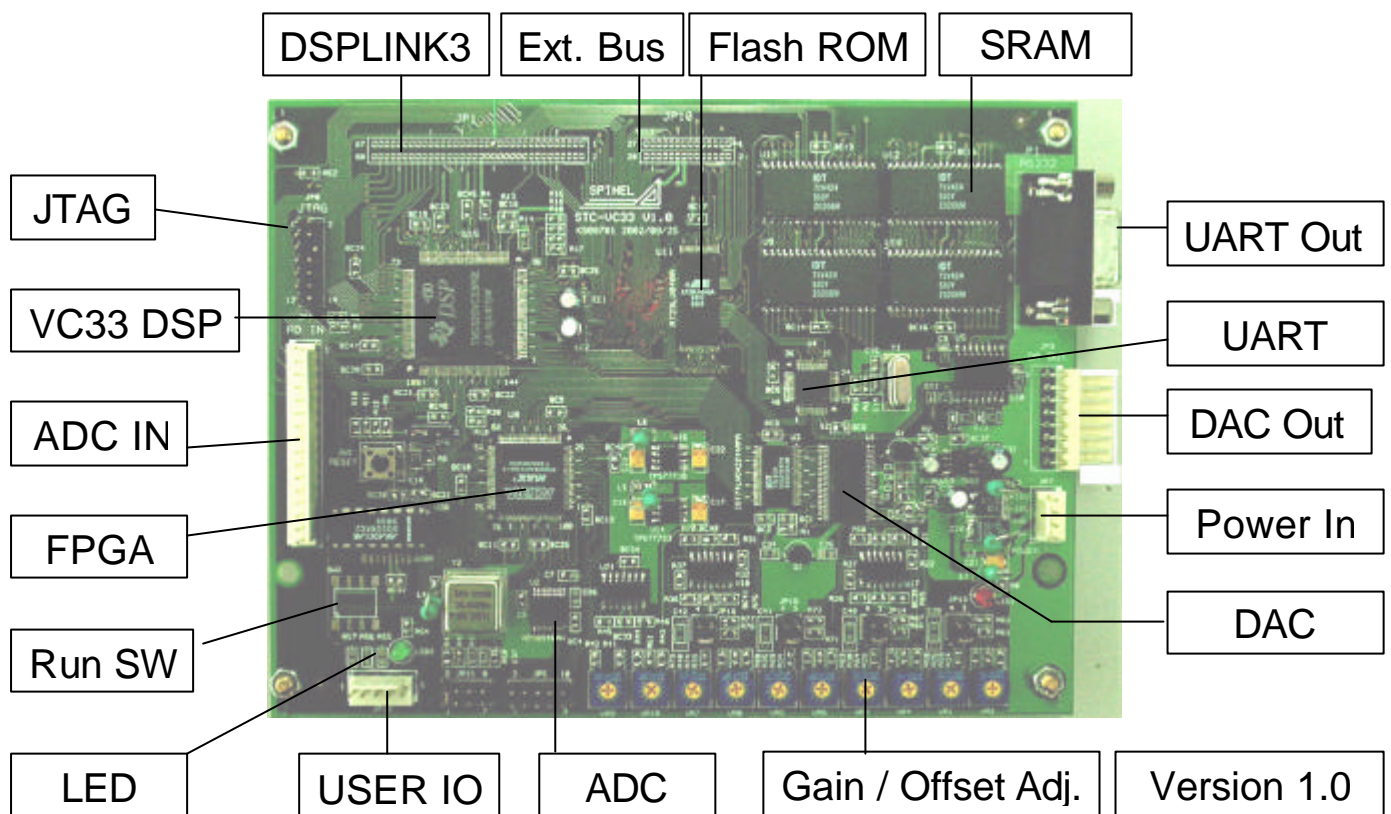


# STC-VC33 Embedded DSP Controller



## STC-VC33 Specifications:

- TI TMS320VC33-150 (60MHz,120MFLOPS) floating point 32 Bits DSP CPU
- 512Kx32 (2M Bytes) SRAM, 512K Bytes Flash ROM
- 8 channel ADC, 16Bits resolution, 100KHz sampling frequency, +/-10V Input
- 4 channel DAC, 16Bits resolution, 100KHz setting frequency, +/-10V Output
- 1 port of RS-232C UART
- 4 bits of user define PIO pin and 1 LED indicator for debugging
- 1 set of DSPLINK 68pin extension connector (A0-A23, D0-D31)
- 1 set of IEEE 1149.1 JTAG connector run with Code Composer software and XDS-510 emulator for debugging
- Offer C function library and C example program
- User may design own I/O board for expansion the memory and I/O capacity
- Provide 5V, +/-15V DC input connector
- Board size: 165mm (L) x 125mm (W) x 15mm (H)

## STC-VC33 Application Fields:

**Motion Control:** Step motor, servo motor, AC/DC motor, actuator and linear motion control

**Voice:** Voice analysis, voice recognize, voice encryption, active noise cancel

**Telecomm:** Modulation (AM/FM/QAM/QPSK/OFDM), wireless LAN, ADSL, STB

**Control:** Bridge/Building vibration control, carriage suspensor control, traffic control

**Monitor:** Physiology monitor, data log, life detector, security, telemeter, SONAR