

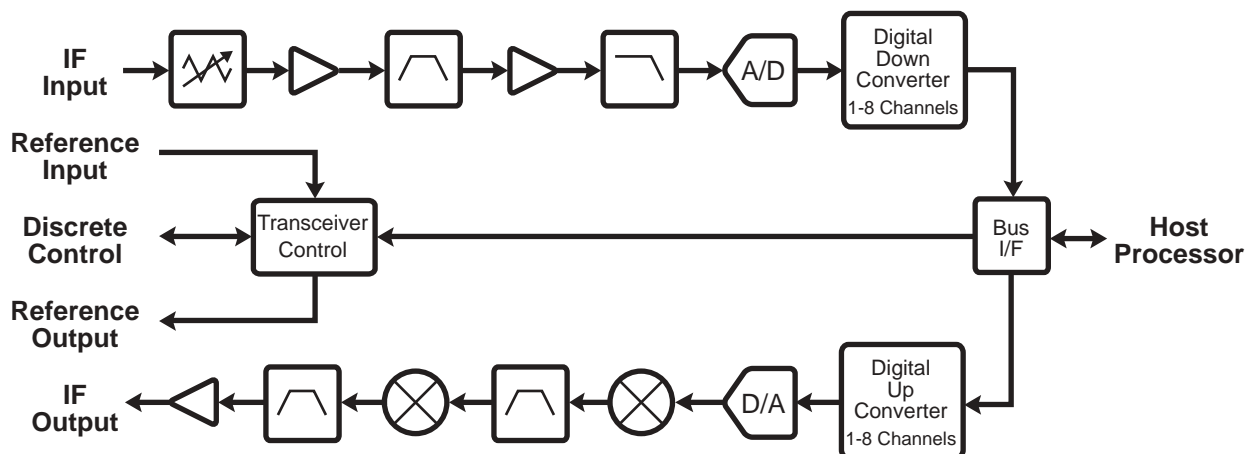
PolyChannel Programmable Digital Transceiver

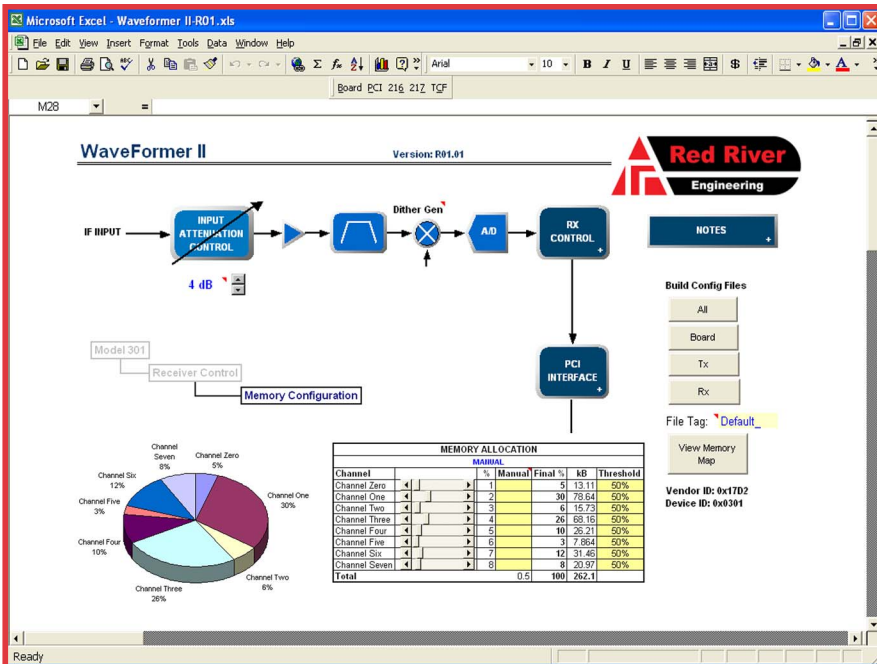
WaveRunner Plus PMC transforms any baseboard with a PMC site into a high performance software defined radio. The unique polychannel architecture combines the flexibility, performance, and precision of advanced digital transceiver chips with a modern analog IF front-end to address a broad range of both narrowband and wideband applications. The industry standard PCI interface simplifies programming and eases the transition from a desktop development environment to an embedded target platform. A single module contains independent receive and transmit threads that share a common command and data interface to the host processor.

The receiver accepts an analog IF input through an SMB connector located on the front panel. The signal is routed through a digitally controlled attenuator and buffer amplifier immediately preceding the analog anti-alias filter. A second amplifier stage boosts the signal to match the input range of the A/D converter. The second IF produced by the A/D converter is passed to a digital downconverter that can be configured for one to eight independent output channels. Each channel tunes to a signal of interest and performs amplitude adjustment based on gain control settings. The complex data samples produced by the downconverter are stored in a FIFO that is accessed through DMA transfers initiated by the host or transceiver.

The transmitter data flow begins at the host interface with the DMA transfer of samples between the processor and data FIFO located on the transceiver module. The samples are rate buffered out of the FIFO to match the clock frequency at the input of the digital upconverter. The upconverter filters and interpolates from one to eight independent channels to produce a single wideband digital IF at the D/A converter input. The resulting analog signal is passed through two conversion stages to produce a final IF that is supplied through an SMB coaxial connector located on the front panel.

- ▲ Industry Standard PMC Form Factor
- ▲ Baseband or 70 MHz IF Analog Interface
- ▲ 40 MHz Analog I/O Bandwidth
- ▲ 8.6 MHz Maximum Signal Bandwidth
- ▲ Up to 8 Transmit and Receive Channels
- ▲ Up to 90 dB Linear Dynamic Range
- ▲ TDMA Event Scheduler and RX Time Tag
- ▲ PCI Bus Master With Auto DMA Feature
- ▲ 32/64-bit and 33/66 MHz PCI Support
- ▲ Front Panel Control for Synchronization
- ▲ Includes Waveformer Configuration Tool
- ▲ Windows / Linux / VxWorks Drivers





The WaveFormer configuration tool simplifies transceiver programming.

WaveRunner Plus PMC offers a simple memory-mapped host interface referenced to a single base address. The host processor has direct access to all control registers, including the receiver input attenuator level, FIFO memory allocation by channel, downconverter (ISL5216) configuration space, upconverter (ISL5217) configuration space, local command/status, and transceiver data flow control. The interface includes an interrupt to alert the host of an error condition or data service request.

WaveRunner Plus PMC programming is simplified by the WaveFormer configuration tool that automates the process of computing register values based on the desired performance characteristics of the transceiver. The user enters configuration information through a series of menu-driven spreadsheets that accept input based on available register options. The spreadsheets also perform error checking to eliminate configuration conflicts and graphically display key performance parameters in simple block diagrams and frequency response plots. The configuration tool generates a file containing the complete memory map that can be easily uploaded from the host.

Typical Applications

- ▲ Multi-Mode Base Stations (1G, 2G, 2.5G, 3G)
- ▲ Beamforming / TDOA (Smart Antenna, E911)
- ▲ Military Communications (AM, FM, FSK, PSK, DAMA)
- ▲ Multi-Mode Software Radio
- ▲ Signal Recorder and Playback
- ▲ Satellite Communications

Specification Summary

▲ Receiver

- Baseband or 70 MHz IF (40 MHz BW)
- 12 dBm Input Power (Full Scale)
- 0 dBm 3rd Order Intercept Point
- 20 dB Analog Gain Control
- 14-bit, 93 MSPS A/D Converter
- Intersil ISL5216 Downconverter
- 23.2 MSPS Max Complex Output
- 1-8 Independent Output Channels
- 256 kbyte Configurable Data FIFO
- 8.6 MHz Maximum Signal Bandwidth
- 96 dB Digital Automatic Gain Control
- >90 dB Linear Dynamic Range (100 kHz)

▲ Transmitter

- 1-8 Independent Input Channels
- 256 kbyte Configurable Data FIFO
- 17.2 MSPS Max Complex Input
- Intersil ISL5217 Upconverter
- 14-bit, 93 MSPS D/A Converter
- 8.6 MHz Maximum Signal Bandwidth
- Baseband or 70 MHz IF (40 MHz BW)
- 15 dBm Output Power (Full Scale)
- +12 dBm 3rd Order Intercept Point
- 70 dB Spur-Free Dynamic Range

▲ Board

- PMC Compliant Physical
- 32/64-bit, 33/66 MHz PCI Bus
- Multi-Channel Auto DMA Engine
- Precision TDMA Event Scheduler
- Precision Receiver Time Tagging
- 10 MHz 3 ppm Local Reference
- 5 to 25 MHz Reference Input

▲ Options

- PCI, CPCI, VME Solutions Available
- Customization Available by Request

For further information, contact:

Red River
797 North Grove Rd, Suite 101
Richardson, TX 75081
Phone: (972) 671-9570
Fax: (972) 671-9572
www.red-river.com