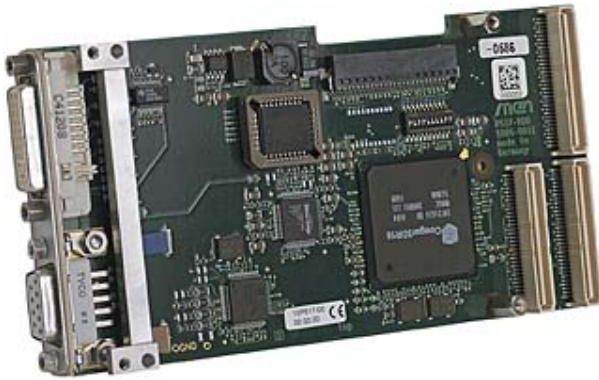


# P517 - PMC Graphics Accelerator



- **Graphics controller SM731**
- **16 MB integrated graphics RAM**
- **4 Mbit video BIOS ROM**
- **Up to 1600 x 1200 pixels**
- **Up to 16.7 M colors**
- **Up to 85Hz refresh rate**
- **LCD (up to UXGA) and CRT via DVI-I (front)**
- **PanelLink via DVI-I (front)**
- **S-Video I/O and Composite Video out via D-Sub (front)**
- **2x LVDS via on-board connector**

The P517 is a high-performance graphics controller suitable for any PMC compliant host carrier board in any type of bus system, i.e. CPCI, PXI, VME or on any type of stand-alone SBC. A similar functionality is also available on PC-MIP, a PCI-based mezzanine card in a smaller form factor. Appropriate PMC and PC-MIP carrier cards in 3U, 6U and other formats are available from MEN or other manufacturers.

The P517 features the Silicon Motion SM731 3D/2D dual display controller which manages graphics processing. The SM731 supports a 235-MHz, 24-bit RAMDAC at a maximum of 1600 x 1200 pixels resolution and delivers enhanced multi-display capabilities. It can drive two independent digital displays (dual digital), either

with identical or with different screen displays.

Simultaneously, it can drive LCD, CRT and TV displays (DualMon). The controller also incorporates two 112-MHz max pixel clock LVDS channels that can drive two separate panels or a single high-resolution panel (UXGA).

The P517 provides a Digital Video Interface (DVI-I) for LCD and CRT via a DVI-I front-panel connector. It also provides an S-Video input and output and Composite Video output via a D-Sub front-panel connector. Both LVDS channels are supported via an onboard plug connector (optionally via the P4 rear I/O connector). These connections can be used to control a panel.

## Technical Data

### Graphics Control

- SM731 controller
- Video
  - Zoom video port
  - Video filtering
  - Multiple independent hardware video windows
- Memory
  - 16MB embedded SGRAM
  - 64-bit memory interface
  - Various on-chip DRAM memory configurations
- DVI via Panellink transmitter
  - Integrated Dual Channel LVDS transmitters
  - Single or dual pixel per clock
  - DualMon support
  - Up to 1600 x 1200 resolution
  - Up to 16.7M colors
- RAMDAC
  - 235MHz
  - 24 bits
  - Up to 1600 x 1200 resolution
  - Up to 16.7M colors
- Video BIOS ROM
  - 4 Megabit (512K x 8 bits)

### Interfaces

- DVI-I via front-panel connector
- S-Video Output/Input and Composite Video Output via front-panel connector
- LVDS1 and LVDS2 via onboard connectors

### PCI Characteristics

- 32-bit PCI, complying with PCI Local Bus Specification, Rev. 2.2
- 33MHz
- Target

### Peripheral Connection

- Via front panel on one DVI-I connector and one standard 9-pin D-Sub receptacle connector
- Via optional onboard 50-pin plug connector
- Option: Via P4 rear I/O

### Electrical Specifications

- Isolation voltage: tbd.
- Supply voltage/power consumption:
  - +5V (4.85V..5.25V), 900mA max.
  - +3.3V (3.0V..3.6V), 1.4A typ.
- MTBF: tbd. @ 50°C

### Mechanical Specifications

- Dimensions: conforming to IEEE 1386.1
- Weight: 84g

### Environmental Specifications

- Temperature range (operation):
  - 0..+60°C
  - Industrial temperature range on request
  - Airflow: min. 10m<sup>3</sup>/h
- Temperature range (storage): -40..+85°C
- Relative humidity (operation): max. 95% non-condensing
- Relative humidity (storage): max. 95% non-condensing
- Altitude: -300m to + 3,000m
- Shock: 15g/11ms
- Bump: 10g/16ms
- Vibration (sinusoidal): 2g/10..150Hz

### Safety

- PCB manufactured with a flammability rating of 94V-0 by UL recognized manufacturers

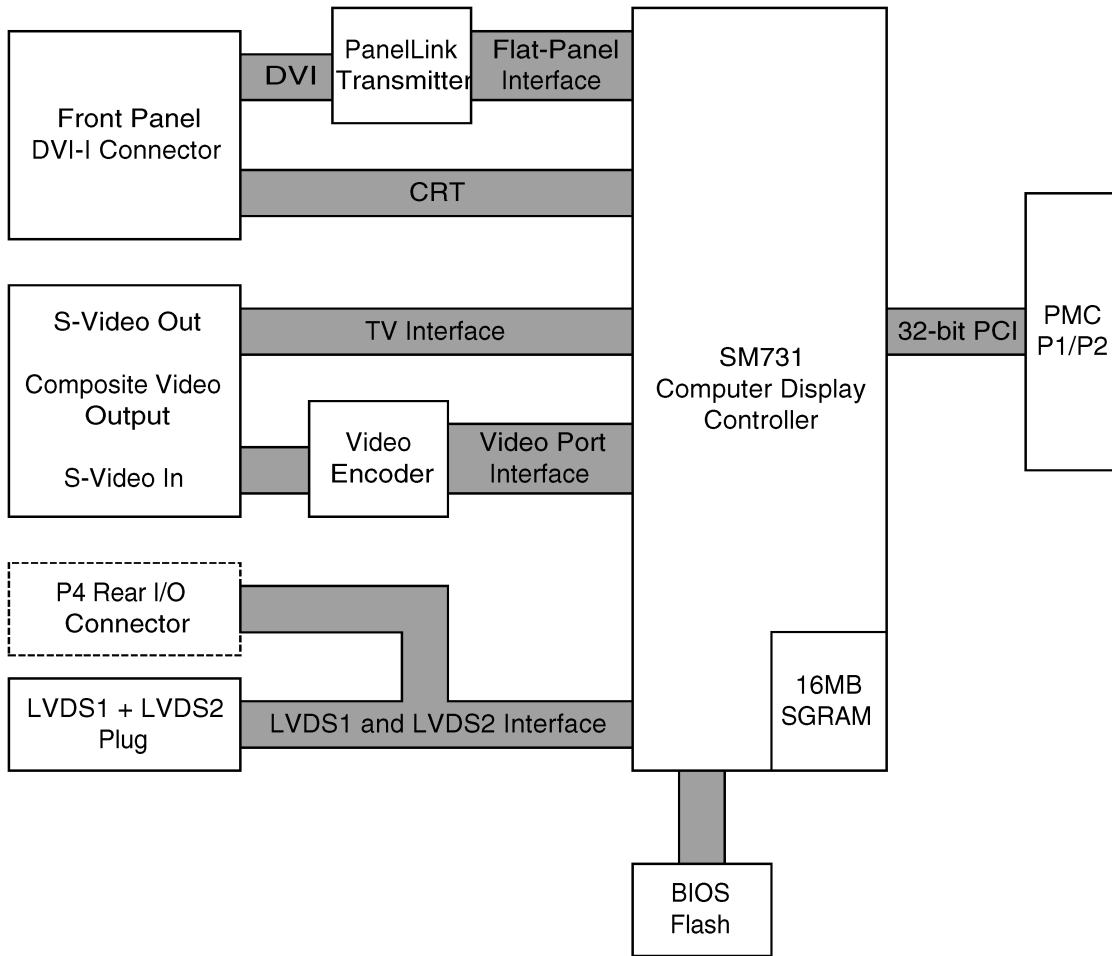
### EMC

- Tested according to EN 55022 (radio disturbance), IEC1000-4-2 (ESD) and IEC1000-4-4 (burst) with regard to CE conformity

### Software Support

- Driver support for Windows 2000/XP, OS-9 (incl. C library and shared library module for XiBase9)

### Diagram



## Related Products

### Standard Hardware

15P517-00	P517, PMC graphics accelerator with SM731, 16MB integrated SGRAM, 4 Mbit Flash BIOS, LCD (up to UXGA resolution) and CRT via DVI, 2xLVDS (only via onboard connector), S-Video In/Out and Composite Video Output; operation temperature 0..+60°C
-----------	--

Please refer to our PC-MIP and PMC compare chart for a selection of mezzanine functions.

### Accessories

05F007-02	DVI-to-VGA cable, DVI plug to 15-pin HD-Sub plug, 2m, -40..+85°C
05P017-00	Splitter cable D-Sub S-Video In/Out, Composite Video Output to 2 mini DIN 4-pin/RCA jacks
0501-0001	DVI-I to DVI-D and VGA Y-adapter cable (for example for D4, F7/N, F8, F9, P17)

### Software

XiBase9, a graphical user interface for Linux and OS-9 from XiSys, is running on the MEN graphics controller PC-MIP and PMC modules P1, P17 and P517 in combination with the PowerPC-based Single-Board Computers A11, A12, D3, F1N, B11 and SC13 (further SBCs on request). For more information, purchase and support please apply to [www.xisys.de](http://www.xisys.de).

13P017-01	OS-9: C library for P17 and P517 for simple portations of various graphics packages based on a frame buffer interface
13P017-02	OS-9: Shared library module XiGfx.dll. for P17 and P517 for XiBase9
13P017-71	Windows® 2000: Graphics driver for P17 and P517 (SMI, object code)
13P017-72	Windows® XP2000: Graphics driver for P17 and P517 (SMI, object code)

Further driver software for Windows® 98, Windows® 2000, Windows® XP (SMI) and XiBase9 (MEN) on request.

### Documentation

20P517-00	P517 user manual
-----------	------------------

*For the most up-to-date ordering information and direct links to other data sheets and downloads, see the P517 online data sheet under [www.men.de](http://www.men.de). --> [Click here!](#)*

## Contact Information

### Germany

MEN Mikro Elektronik GmbH  
 Neuwieder Straße 5-7  
 90411 Nuremberg  
 Phone +49-911-99 33 5-0  
 Fax +49-911-99 33 5-901  
 E-mail info@men.de  
 www.men.de

### France

MEN Mikro Elektronik SA  
 18, rue René Cassin  
 ZA de la Châtelaine  
 74240 Gaillard  
 Phone +33 (0) 450-955-312  
 Fax +33 (0) 450-955-211  
 E-mail info@men-france.fr  
 www.men-france.fr

### UK

MEN Micro Ltd  
 Whitehall, 75 School Lane  
 Hartford, Northwich  
 Cheshire UK, CW8 1PF  
 Phone +44 (0) 1477-549-185  
 Fax +44 (0) 1477-549-178  
 E-mail info@menmicro.co.uk  
 www.menmicro.co.uk

### USA

MEN Micro, Inc.  
 PO Box 4160  
 Lago Vista, TX 78645-4160  
 Phone (512) 267-8883  
 Fax (512) 267-8803  
 E-mail sales@menmicro.com  
 www.menmicro.com

*The date of issue stated in this data sheet refers to the Technical Data only. Changes in ordering information given herein do not affect the date of issue.*

*All brand or product names are trademarks or registered trademarks of their respective holders.*

*Information in this document has been carefully checked and is believed to be accurate as of the date of publication; however, no responsibility is assumed for inaccuracies. MEN Mikro Elektronik accepts no liability for consequential or incidental damages arising from the use of its products and reserves the right to make changes on the products herein without notice to improve reliability, function or design. MEN Mikro Elektronik does not assume any liability arising out of the application or use of the products described in this document.*

*The products of MEN Mikro Elektronik are not suited for use in nuclear reactors and for application in medical appliances used for therapeutical purposes.*

*Application of MEN's products in such plants is only possible after the user has precisely specified the operation environment and after MEN Mikro Elektronik has consequently adapted and released the product.*

*Copyright © 2005 MEN Mikro Elektronik GmbH. All rights reserved.*