

M79 - Profibus DP Slave Interface



- **Profibus DP slave (DIN19245)**
- **Isolated RS485**
- **Local 16-bit CPU**
- **12Mbits/s data transfer rate**
- **Complete Softing Profibus software on board**
- **Compatible with Softing tools**

The M79 is based on the M-Module ANSI mezzanine standard. It can be used as an I/O extension in any type of bus system, i.e. CPCI, PXI, VME or on any type of stand-alone SBC. Appropriate M-Module carrier cards in 3U, 6U and other formats are available from MEN or other manufacturers.

The M79 M-Module is a Profibus DP (Distributed Peripherals) slave interface based on the Infineon C165 CPU. It is thus an ideal interface solution for intelligent remote I/O applications via a very popular fieldbus standard.

The C165 CPU handles communication with the host CPU via the onboard shared DRAM. The advantage of this Profibus implementation is that the complete Profibus protocol stack runs locally on the M-Module with very reduced interaction of the host CPU.

The RS485 Profibus interface (9-pin D-Sub) allows

selectable transmission rates from 9.6 kbits/s up to 12Mbits/s. The optically isolated interface is supplied by an onboard DC/DC converter. The output is short-circuit protected.

The M79 comes with 512KB of local Flash, 1MB of local SRAM and 16KB dual-ported RAM.

Profibus slave functionality comprises initialization and termination of slaves, additional status information on output and input data as well as security services such as DP applications checked by a user watchdog or a protocol stack monitored by the application.

The Profibus firmware consists of the true Softing protocol stack. The corresponding driver software comes from MEN and complies with standard Softing tools. It supports configuration of the M79 for each application in a very convenient way. The driver is based on MDIS (MEN Driver Interface System) which makes the M79 ready for use under Windows®, Linux and RTOS environments.

Technical Data

C165 CPU

- 16-bit data bus, 20-bit address bus
- Complete Profibus DP software on one M-Module
- Local interrupt controller
- Hardware watchdog

Slave: SPC 3 Profibus Controller

- Up to 12Mbaud data rate
- 8-bit interface (local)
- Complete DP slave protocol

Master: ASPC 2 Profibus Controller

- Optional, for M79 as Profibus Master
- Up to 12Mbaud data rate
- 16-bit DMA interface (local)
- Complete bus access protocol
- Up to 127 active or passive stations

Miscellaneous

- 1MB shared memory for communication and program
- Isolated RS485 Profibus interface

Peripheral Connections

- Via front panel on a shielded 9-pin D-Sub receptacle connector

M-Module Characteristics

- A08, D16, INTA, IDENT

Electrical Specifications

- Electrical isolation: 500V DC
- 500V DC between isolated side and digital side
- Voltage between the connector shield and isolated ground is limited to 180V using a varistor; AC coupling between connector shield and isolated ground through 47nF capacitor
- Supply voltage/power consumption:
 - +5V (4.85V..5.25V), 287mA
- MTBF: 430,000h @ 50°C

Mechanical Specifications

- Dimensions: conforming to M-Module Standard
- Weight: 53g

Environmental Specifications

- Temperature range (operation):
 - 0..+60°C or -40..+85°C
- Airflow: min. 10m³/h
- Temperature range (storage): -40..+85°C
- Relative humidity (operation): max. 95% non-condensing
- Relative humidity (storage): max. 95% non-condensing
- Altitude: -300m to + 3,000m
- Shock: 15g/11ms
- Bump: 10g/16ms
- Vibration (sinusoidal): 2g/10..150Hz

Safety

- PCB manufactured with a flammability rating of 94V-0 by UL recognized manufacturers

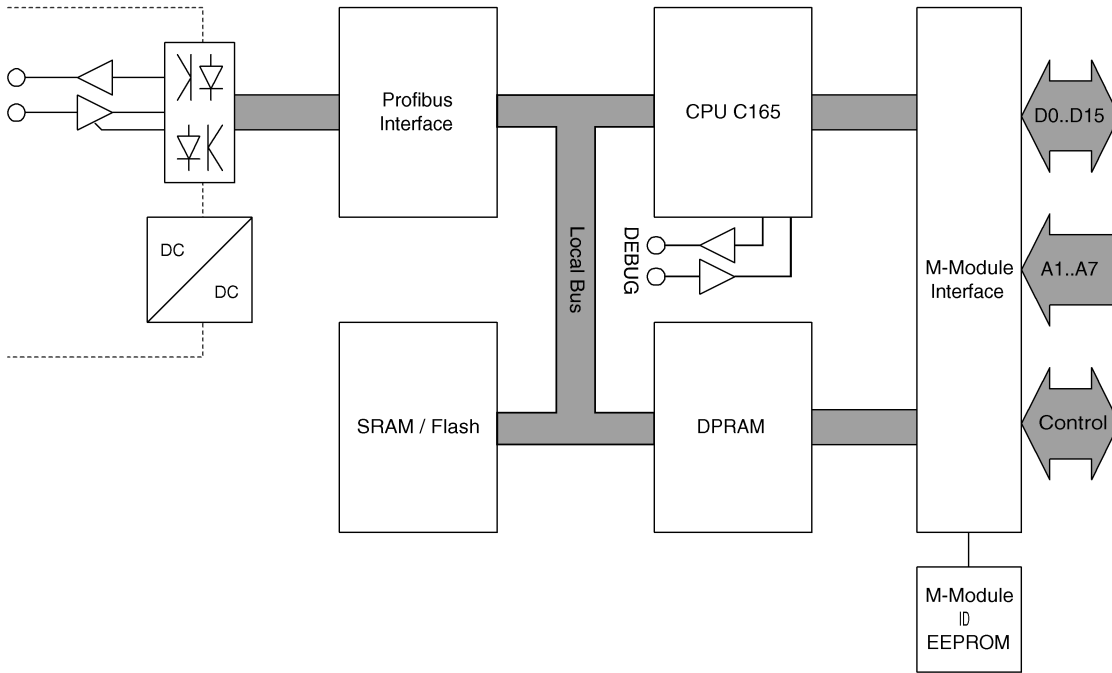
EMC

- Tested according to EN 55022 (radio disturbance), IEC1000-4-2 (ESD) and IEC1000-4-4 (burst) with regard to CE conformity

Software Support

- Softing protocol portation (ISO/OSI protocol layer 2/DP)
- MEN Driver Interface System (MDIS for Windows, Linux, VxWorks, QNX, RTX, OS-9)

Diagram



Related Products

Standard Hardware

04M079-00	M79, M-Module, Profibus slave interface, temperature range: 0..+60°C
04M079-01	M79, M-Module, Profibus slave interface, temperature range: -40..+85°C

Please refer to our M-Module compare chart for a selection of further fieldbus interfaces.

Accessories

05M000-17	25 mounting screw sets to fix M-Modules on carrier boards
-----------	---

Software

13M079-06	MDIS4/2004 low-level driver sources for M79
13M079-70	MDIS4/2004 Windows® NT4/W2K driver for M79

To use MDIS4 low-level drivers, you also need one of the MDIS4 system packages available for Windows®, Linux, VxWorks®, QNX®, RTX or OS-9 (MDIS4 = MEN Driver Interface System).

Documentation

20M000-00	M-Module draft specification, Rev. 3.0
20M079-00	M79 user manual
21APPN001	Application Note: MDIS4 under LabWindows®/CVI

For the most up-to-date ordering information and direct links to other data sheets and downloads, see the M79 online data sheet under www.men.de. --> [Click here!](#)

Germany

MEN Mikro Elektronik GmbH
Neuwieder Straße 5-7
90411 Nuremberg
Phone +49-911-99 33 5-0
Fax +49-911-99 33 5-901
E-mail info@men.de
www.men.de

France

MEN Mikro Elektronik SA
18, rue René Cassin
ZA de la Châtelaine
74240 Gaillard
Phone +33 (0) 450-955-312
Fax +33 (0) 450-955-211
E-mail info@men-france.fr
www.men-france.fr

UK

MEN Micro Ltd
Whitehall, 75 School Lane
Hartford, Northwich
Cheshire UK, CW8 1PF
Phone +44 (0) 1477-549-185
Fax +44 (0) 1477-549-178
E-mail info@menmicro.co.uk
www.menmicro.co.uk

USA

MEN Micro, Inc.
PO Box 4160
Lago Vista, TX 78645-4160
Phone (512) 267-8883
Fax (512) 267-8803
E-mail sales@menmicro.com
www.menmicro.com

The date of issue stated in this data sheet refers to the Technical Data only. Changes in ordering information given herein do not affect the date of issue. All brand or product names are trademarks or registered trademarks of their respective holders.

Information in this document has been carefully checked and is believed to be accurate as of the date of publication; however, no responsibility is assumed for inaccuracies. MEN Mikro Elektronik accepts no liability for consequential or incidental damages arising from the use of its products and reserves the right to make changes on the products herein without notice to improve reliability, function or design. MEN Mikro Elektronik does not assume any liability arising out of the application or use of the products described in this document.

The products of MEN Mikro Elektronik are not suited for use in nuclear reactors and for application in medical appliances used for therapeutical purposes. Application of MEN's products in such plants is only possible after the user has precisely specified the operation environment and after MEN Mikro Elektronik has consequently adapted and released the product.

Copyright © 2005 MEN Mikro Elektronik GmbH. All rights reserved.